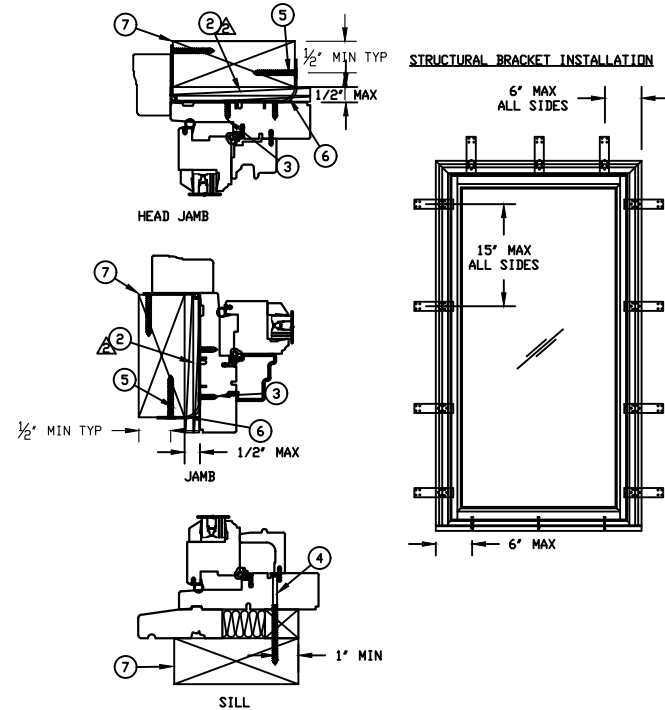
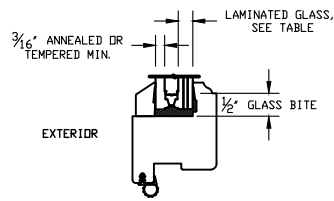


JAMB SCREW INSTALLATION METHOD:
 - UNIT MUST NOT BE IN DIRECT CONTACT WITH EITHER CONCRETE OR TREATED BUCK MATERIAL. IF SHIM SPACE IS LESS THAN 1/8\"/>

TYPICAL GLAZING DETAIL



STRUCTURAL BRACKET INSTALLATION METHOD:
 - UNIT MUST NOT BE IN DIRECT CONTACT WITH EITHER CONCRETE OR TREATED BUCK MATERIAL. IF SHIM SPACE IS LESS THAN 1/8\"/>

UNIT	MAX FRAME SIZE	DP RATING	GLASS OPTION
UL WD CSMNT IZ3	36 X 84 1/16	+65/-65	TYPE A
UL WD CSMNT IZ3	36 X 96 1/16	+65/-65	TYPE B
UL WD CSMNT STAT IZ3	36 X 84-1/16	+65/-65	TYPE A

TYPE	LAMINATED GLASS MAKE UP
A	3.0mm (.122\") ANN + .090KURARAY PVB + 3.0mm (.122\") ANN
B	2.7mm (.11\") ANN + .090KURARAY SGP + 2.7mm (.11\") ANN

- NOTES:**
 1. THIS PRINT IS FOR STRUCTURAL PERFORMANCE ONLY. FOR FLASHING & SEALING INSTRUCTIONS, REFER TO THE INSTALLATION INSTRUCTIONS.
 SHIMS
 -PLACE A SHIM WITHIN 4-6 INCHES OF EACH CORNER AND SPACE ALL OTHERS EVENLY A MAXIMUM OF 15\"/>

ITEM NO	REF NO	DESCRIPTION
7	-----	WOOD BUCK BY OTHERS
6	-----	STRUCTURAL BRACKET
5	-----	1 1/2\"/>
4	-----	#8 X 3.500 WOOD SCREW
3	-----	#8 X .625 SCREW
2	-----	SHIM
1	-----	#8 X 3.000 WOOD SCREW

CATEGORY:
CASEMENT

UNIT TYPE:
UWCA IZ3, UWCA STAT IZ3

UNSPECIFIED TOLERANCES

DECIMALS: XX ± .03 XXX ± .012	ANGLE DEG: ± .5
LINEAL: + .125 - .000	FAB LINEAL: ± NA
MATERIAL: NA	

MARVIN RESEARCH & DEVELOPMENT

COLLECTION: ULTIMATE

DWG TYPE: INSTALLATION
DESCRIPTION: INSTALLATION

CHK:	SIZE: B	CLASS: MISC	DWG NO: 00065800
APP:	SCALE: NA	DATE: 10/21/09	DWG BY: BORNEMAN, SKIP

SHEET: 1 OF 1